

3.5 x 6.0mm Tact Switch (R/A, SMT/TH Type)



TSC-04/13/14S/T-XXXH

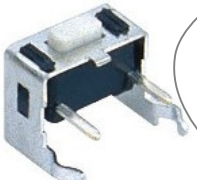
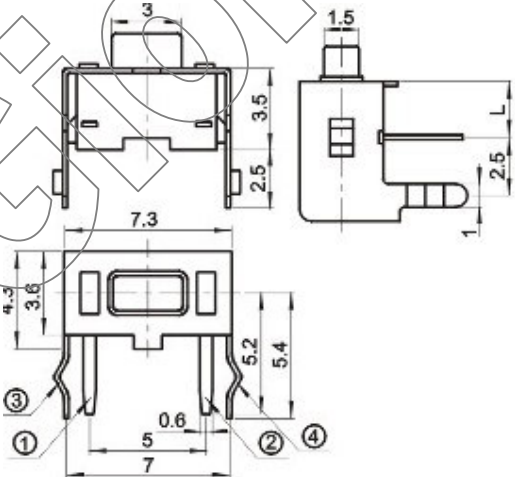
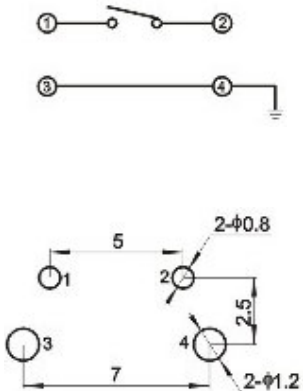
TS - Tact Switch
 C - C Series
 04 / 13 / 14 – Type
 S – SMT Type
 T - TH Type
 XXX - Action Force (gram)
 H - With Post (Optional)


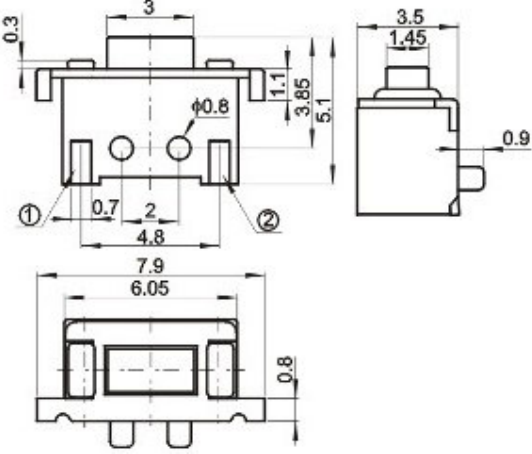
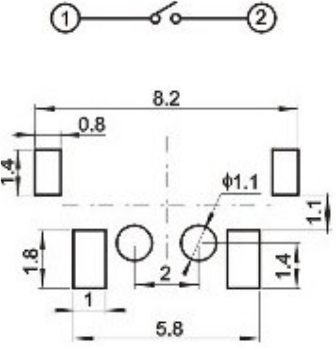

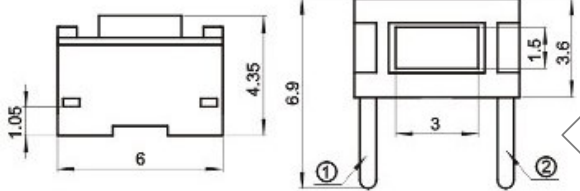
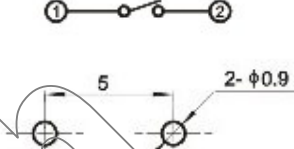
SPECIFICATIONS

Mechanical Life: 100,000 cycles for 70±50g, 130g±50g, 180g±50g
 50,000 cycles for 250g±50g
 Operating Force: 70±50g, 130g±50g, 180g±50g, 250g±50g
 Travel: 0.25±0.1mm
 Rating: 50mA 12V DC
 Dielectric withstanding: 250V AC/minute
 Insulator resistance: ≥ 100 MΩ at 100V
 Contact resistance: ≤ 100 mΩ/Contact
 Operating temperature: -20°C ~ +70°C
 Storage temperature: -40°C ~ +85°C

Material

Base: PA6T/LCP, UL94V-0
 Contact material: Phosphor Bronze
 Contact Spring Plating: Stainless Steel/Silver Plating

Physical Picture	Outline Drawing	Circuit
 <p>TSC-04T-XXXH</p>		

 <p>TSC-13S-XXXH</p>		
 <p>TSC-14T-XXX</p>		

GionTech